

SAX Power quick installation guide for PRIMO 5,8 kWh battery storage system

Our service and technical team is available at Mon-Fri from 8:00 to 17:00
Phone: +49 7305 95891-5
 E-Mail: kundenservice@sax-power.net

Scope of delivery

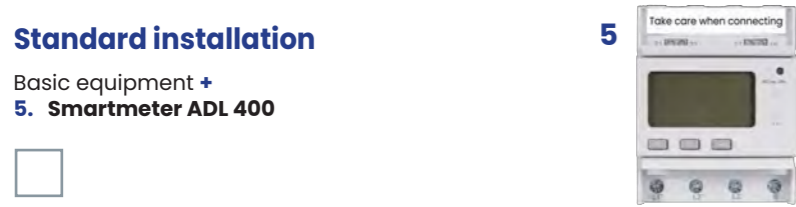
Basic equipment

1. Batch storage
2. Wall bracket with 2 screws for positioning the storage tank
3. 2 Wieland plugs
4. Terminal block



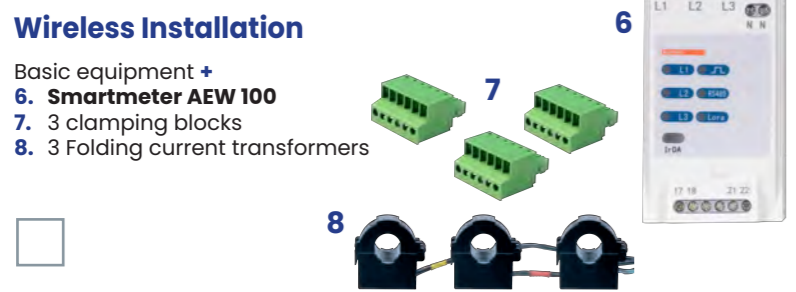
Standard installation

- Basic equipment +
 5. Smartmeter ADL 400



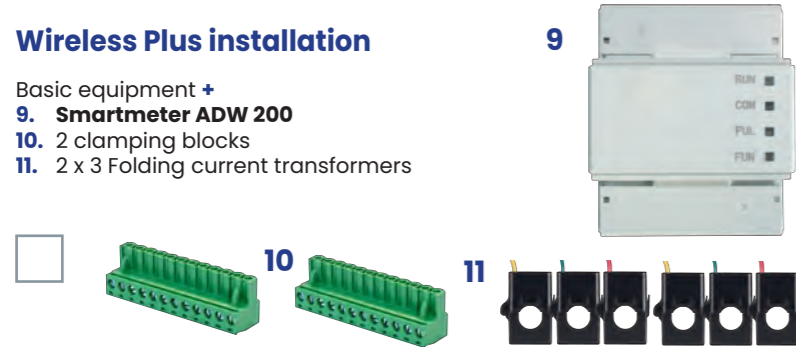
Wireless Installation

- Basic equipment +
 6. Smartmeter AEW 100
 7. 3 clamping blocks
 8. 3 Folding current transformers



Wireless Plus installation

- Basic equipment +
 9. Smartmeter ADW 200
 10. 2 clamping blocks
 11. 2 x 3 Folding current transformers



i If more than one storage unit is used in a network, the smartmeter including accessories is in packaging box "A".

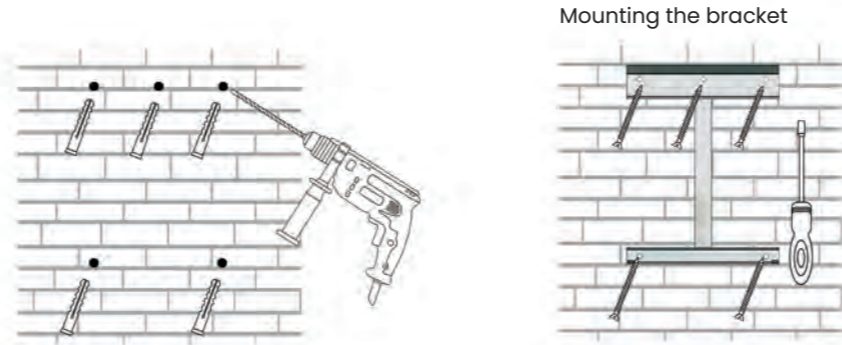
Connections of the memory

12. Power connection
13. Emergency power connection
14. RS485 interface
15. LAN connection
16. Main switch

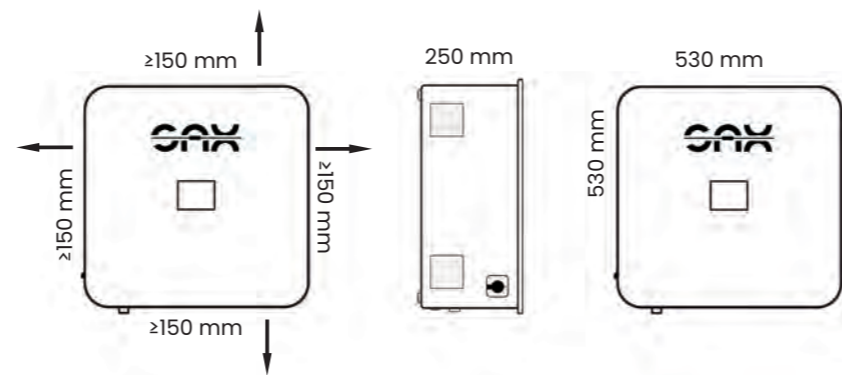


Wall mounting

- i** Total weight: 53 kg.
 Please check the load-bearing capacity of the wall before mounting.
 You will need 5 screws and wall plugs for wall mounting.
 Select the screws and wall plugs according to the condition of the wall.



- i** Attach the storage tank. Due to the high storage weight, 2 persons are required for transport and assembly!



- i**
- The storage tank must be registered with the responsible grid operator.
 - Do not open the memory. Opening the device will invalidate the warranty.
 - Do not operate the storage tank outside the temperature limits of 5°C to 35°C.
 - Wait 60 seconds after switching on and do not switch off the memory during this time.
 - Do not switch off the storage tank permanently after commissioning or disconnect it from the mains to prevent deep discharge of the battery cells.

Electrical installation

- ⚠** The electrical installation may only be carried out by a qualified electrician!

Smartmeter ADL 400



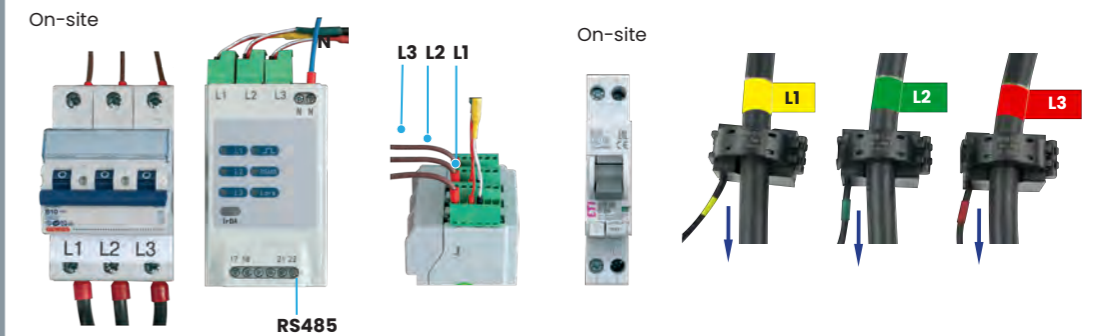
- ADL 400 connection between meter and consumer.
- Establish communication between smart meter and memory via RS485 interface at contacts 21 / 22.

ADL 400 • AEW 100 • ADW



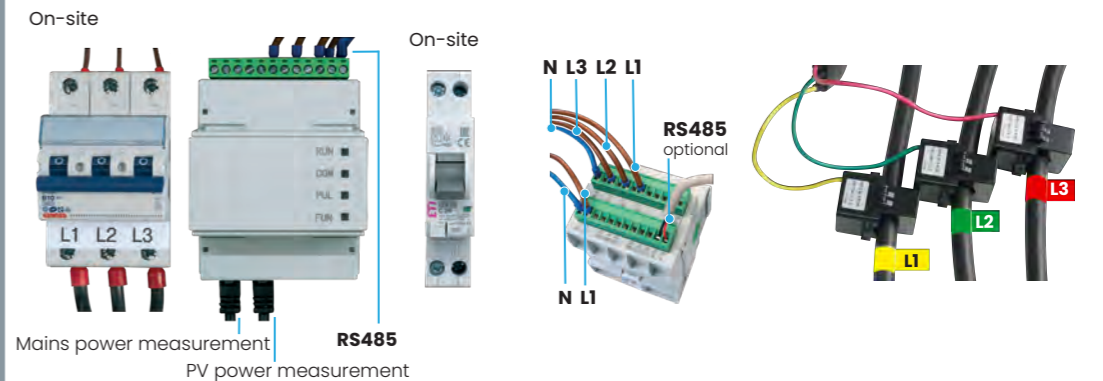
- Establish mains connection of the storage tank via RCBO 20A fuse.
- Establish an Internet connection via LAN.

Smartmeter AEW 100



- Connection AEW 100 via LS 10A fuse protection to supply voltage corresponding to terminals UA, UB, UC / N.
- Attach hinged current transformers orientated in the same direction between the meter and the load: L1 yellow / L2 green / L3 red and connect to smartmeter.
- Establish communication between smartmeter and storage unit via RS485 interface on contacts 21 / 22.

Smartmeter ADW 200



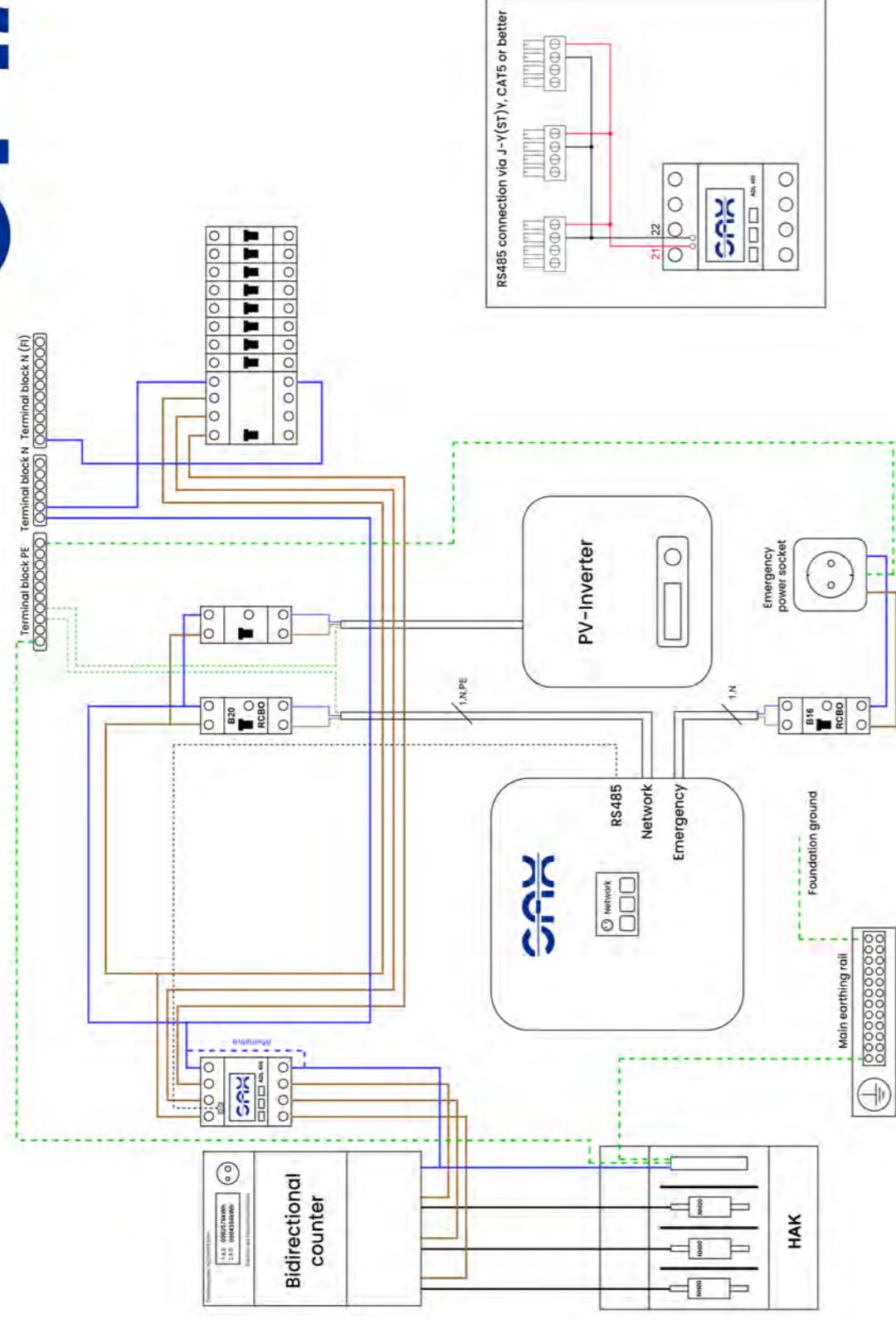
- Connection ADW 200 via LS 10A fuse protection to supply voltage corresponding to terminals UA, UB, UC/N and L1/N.
- Attach the hinged current transformer between the meter and consumer, orientated in the same direction: L1 yellow / L2 green / L3 red and plug into RJ 11 slot 1. Slot 2 is intended for PV current.
- Establish communication between smartmeter and storage tank via RS485 interface on contacts 21 / 22.

i Circuit diagram on the back! You can find the detailed instructions at



Circuit diagrams for the electrical installation

ADL 400



ADW / AEW 100

